

JIPA JUMP 101 DS (2x29l)



Technical specification:

Capacity:	2 x 29 liters – DIN 18857
Capacity GN:	2 x GN 1/1
Bottom pan dimension:	2 x 355 x 561 mm
Depth:	170 mm
Cooking surface:	2 x 20 dm ²
W x D x H:	1290 x 850 x 500 mm
Power-connected load:	22,5 kW
Voltage:	3 N AC 400 V
Fuse:	3 x 32 A
Weight:	220 kg
Water inlet:	R3/4
Water outlet:	DN - 50

Technology:

Boiling
Gentle boiling
Deep frying
Frying
Braising
Low temperature cooking
Grilling
Confit
Sous – vide
Overnight cooking
Temperature: 30°C–250°C.

Functions:

Automatic basket lifting
12" colour touch screen with intuitive controls
Memory for 800 programs with 12 steps
Language mutation
Possibility to create own programs
Actual values visible on screen
Sensor temperature control
Lock screen
Error list on display
Technical and service information

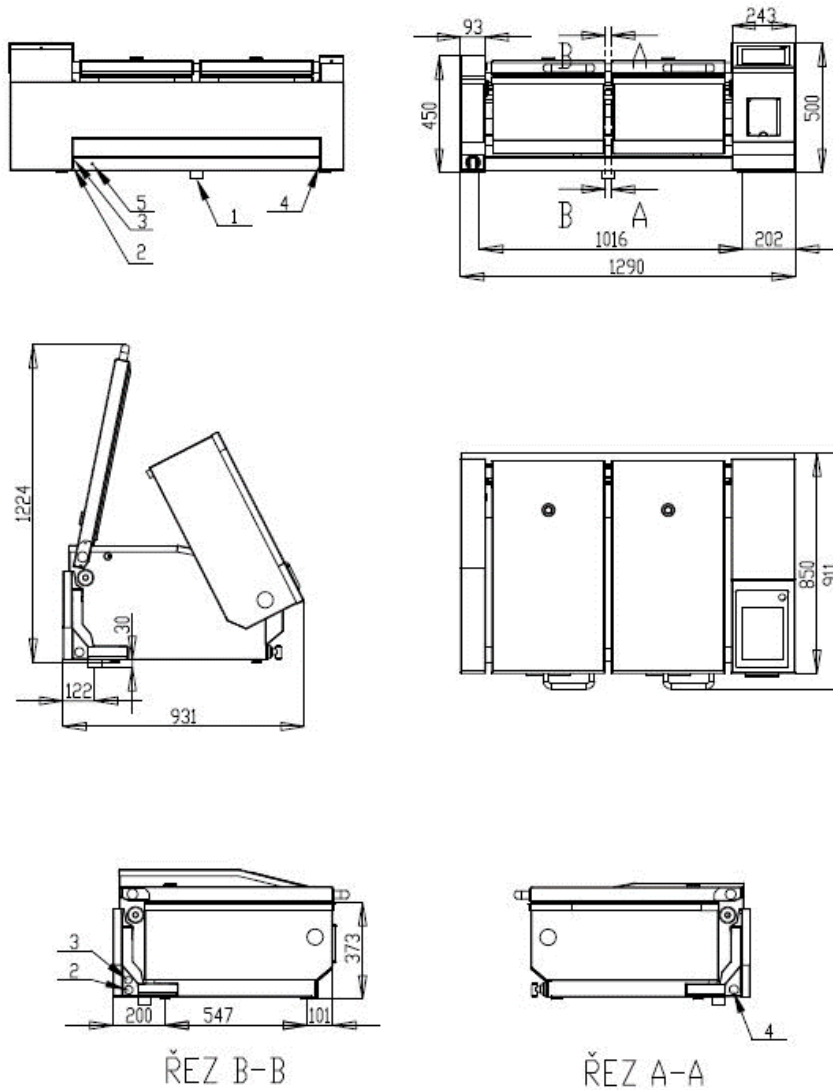
Construction:

- Base frame - AISI 304, minimum thickness 2 mm
- Frame cover - AISI 304
- Cooking pan AISI 316, both sides welded
- Heating system JPX 17 equal and stabile heating
- Preheating to 180 °C till 3 minutes
- Robust double insulated cover with automatic electric lifting
- Steam exhaust through the chimney in cover
- Central water supply, drainage and power connections from wall or floor
- Connection kit for connection more units together
- Service access from the front and top sides
- Certificates CE, TÜV-SÜD

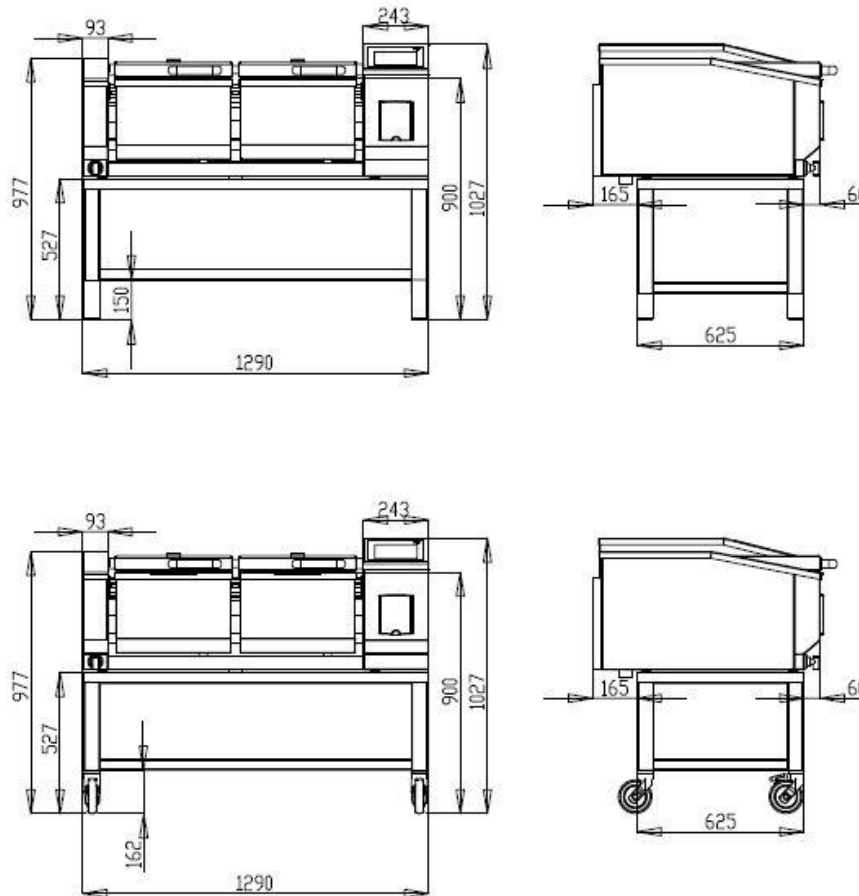
Standard Equipment:

- Automatic water filling system
- Liquid level gauge
- Multipoint core probe
- Integrated drain in bottom with electronic closing/opening system
- Automatic basket lifting – possibility of cooking in baskets with closed cover
- Electronic cover with safety control
- Safety sensor for basket lifting arm
- Integrated retractable shower
- Integrated socket 230 V /16 A
- USB port – backup and data transfer
- HACCP data
- Internet connection



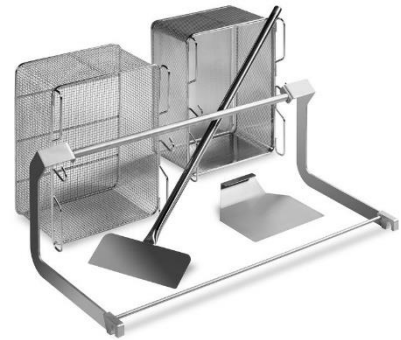


- ① Drain DN 50
- ② Electro connection
- ③ Ethernet socket RJ 45
- ④ Water connection
- ⑤ Ground



Recommended accessories:

- Spatula small
- Spatula for omelettes
- Basket extension arm
- Cooking and frying baskets
- Sieve
- Spaetzle sieve



- À la carte baskets



- Battery – powered lifting trolley



- Grate for NT 1/1

